



# UAV

engine unit

The UAV engine unit is a trouble-proof solution ready for any mission in a wide geographic range under various weather conditions.

500 W onboard electric generator

Remote start with a single button

Automatic emergency engine start feature

Anti-icing feature

Upgraded muffler to reduce the acoustic signature

4-stroke internal combustion engine 100 cc



# System

## features and technologies

The UAV engine unit was created to operate in harsh environments, be trouble-free and reliable aggregate. It is a fully integrated comprehensive solution. All systems come as one block for easy installation and maintenance.



### 500 W onboard generator

Powers up all-electric equipment of your UAV, and allows being flexible in terms of various payloads.



### Remote start with a push of a button

You can start the UAV engine unit remotely from the ground control station with a single button.



### Emergency engine start feature

The engine restarts automatically during the flight in case of a failure.



### Upgraded muffler

Specially designed to reduce the acoustic signature of a UAV.



### EMI shielded electronic ignition system with RPM sensor

For safe and secure operation.



### Charge batteries during the flight

The onboard generator automatically recharges the batteries of the UAV.



### Multiple sensors

The system is equipped with various sensors: fuel level, engine and air temperature, RPM, and many more.



### Easy to use and maintain

The engine may be fueled by a mixture of gasoline and oil even in the field.



### Able of working at a high altitude

Up to 5700 m.



### Capable of operating in harsh temperature conditions

From -20 °C to +50 °C.

# Technical

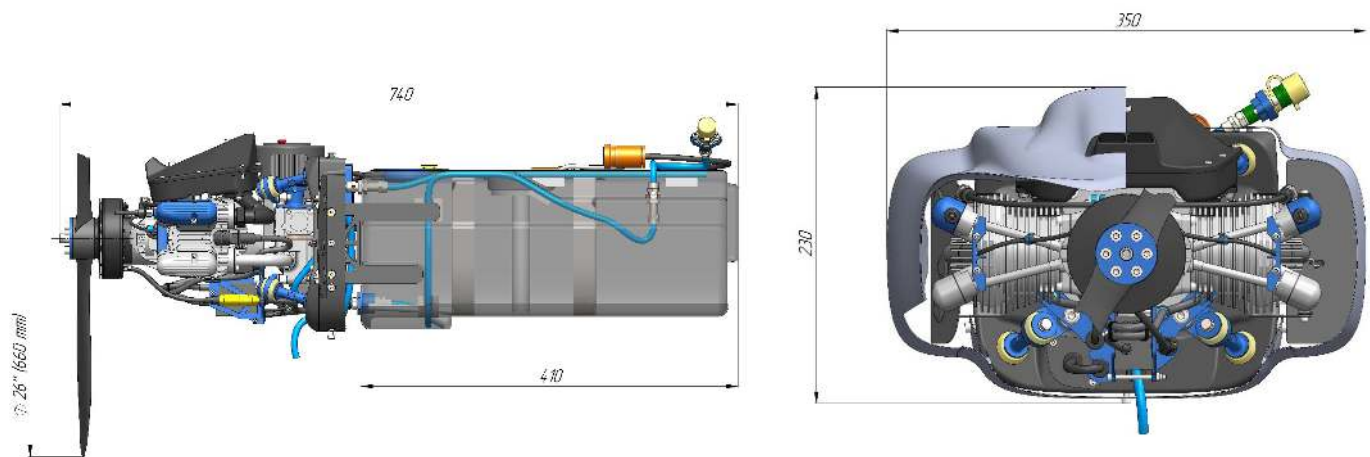
## details

### Engine unit specifications:

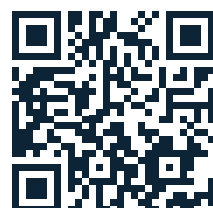
Maximum working altitude.....	5700 m
Revolutions per minute range.....	1500-6300 rpm
Engine operation temperature.....	90-140 °C
Fuel tank capacity.....	11 l
Power.....	7 hp
Starter type.....	electric
Onboard power supply (nominal voltage).....	24 VDC
Onboard battery.....	6S LiPo
Battery capacity.....	5400 mAh
Output electrical power.....	500 W
Overcurrent protection.....	+
Displacement.....	6.1 cu in (100 cc)
Brushless motor alternator.....	Yes
Pixhawk compatible.....	Yes
Oil type & content.....	20 gas/1 oil ratio
Fuel type.....	95 Octane (RON)

### Dimensions and weight:

Height.....	230 mm
Width.....	350 mm
Length.....	740 mm
Propeller.....	26x12"
Empty weight.....	7.4 kg



Want to know more?



■ S m a r t s o l u t i o n s c o m p a n y